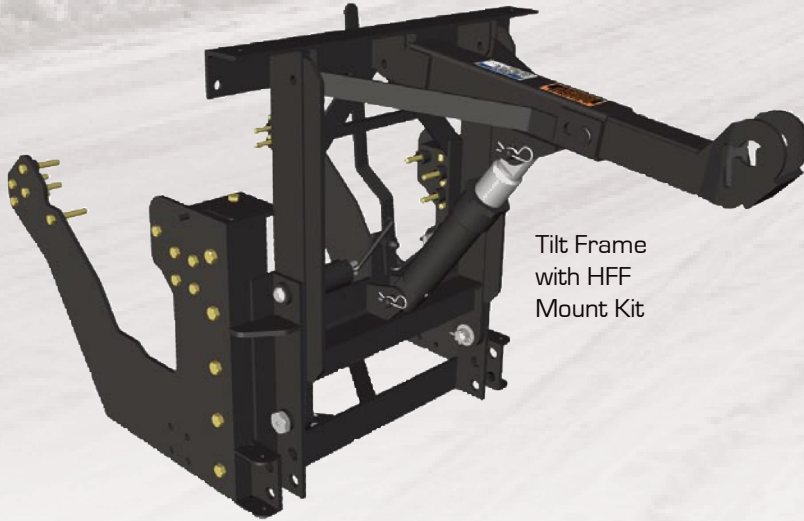


"Demanded by Those Who Know Quality"

SNOW PLOW HITCHES



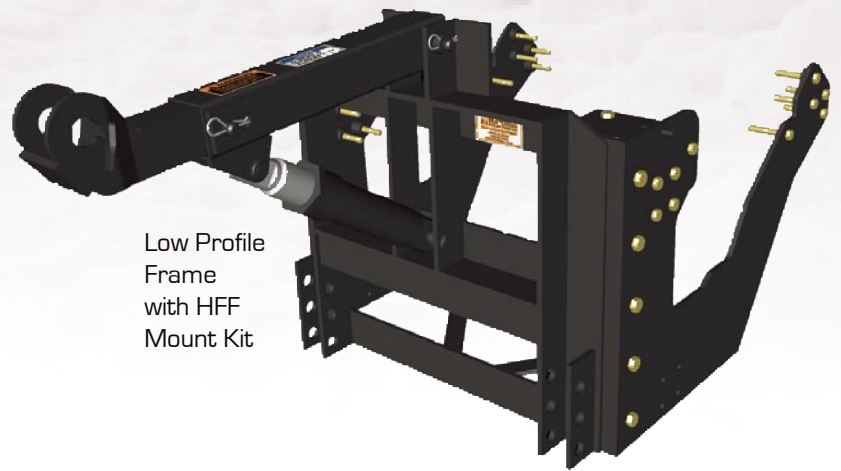
Tilt Frame
with HFF
Mount Kit



Tilt Grill on Chassis Hood



Stationary Grill on Chassis Hood



Low Profile
Frame
with HFF
Mount Kit

Never compromise quality! Bonnell will constantly offer you quality improved snowplow hitches. When it comes to carrying your equipment from the front of your vehicle - never compromise - choose Bonnell.

We offer the tilt out design for those vehicles with grills that tilt with the hood. We suggest the Low Profile Hitch design for vehicles with a stationary grill. Then choose your mounting kit, either Custom Side Plate (HFF), Universal Side Plate (USP), Universal Bumper to Frame (UBF), or the Universal Bumper to Axle (BTA).

The standard telescopic lift arm will give you the versatility to lift your snowplow parallel to the ground at any position the plow may be in (right, straight, or left). Just some of the added value you get with Bonnell.

When you need quality and reliability you must specify Bonnell.

Snow Plow Hitch Mounting



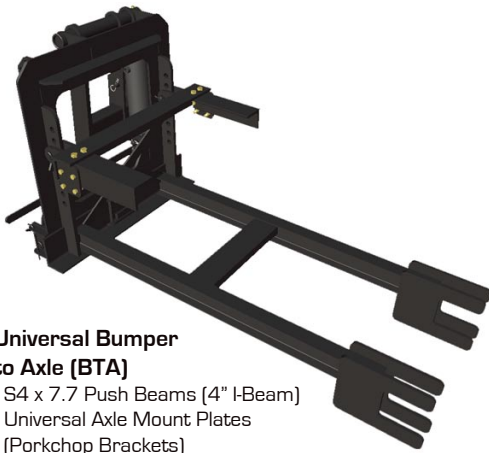
Heavy Front Frame (HFF)

- Custom fit 1/2" thick A-36 side plates (5/8" plate optional)
- Minimum (7) 5/8" Grade 8 bolts & lock nuts per side
- Easy to install tow hook-holes are pre-drilled



Universal Bumper to Frame (UBF)

- Heavy duty 1" x 4" push arms
- Universal frame mount Z-Iron brackets



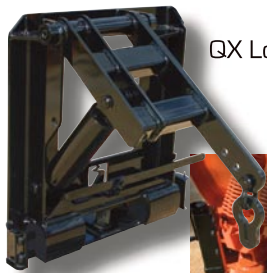
Universal Bumper to Axle (BTA)

- S4 x 7.7 Push Beams (4" I-Beam)
- Universal Axle Mount Plates (Porkchop Brackets)
- Quickly removed from truck with the pull of two pins



Universal Side Plate (USP)

- Heavy duty universal 5/8" side plates
- Universal frame mount Z-Iron brackets



QX Low Profile Hitch

Level Raise Lift System™



Use the QX Hitch for trucks with stationary grills, with or without front mount pumps, and with QA Receiver Hookup or Two Pin-Swivel Bar Hookup is required.

Use the Level Raise Lift System™ with the QX Hitch for a Quality Combination

See QX Hitch Literature for more information.

Sold By:



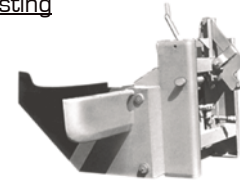
1385 Franklin Grove Rd. • Dixon, IL 61021 • www.bonnell.com
 (815) 284-3819 • (800) 851-9664 • Fax (815) 284-8815

Bonnell Industries reserves the right under its product improvement policy to change construction or design details and furnish equipment when so altered without reference to illustrations or specifications used herein.
 © 2006 Bonnell Industries, Inc. | 0306

Hitch Options

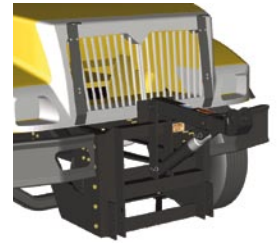
Plow Hookup Options

- Quick Attach Receiver
- Flink Style QLZ
- Henke, Monroe, Root Style UQH
- Husting



Light Bracket Options

- Grill Mount Certain Models Only
- Hitch Mount (Tilt Hitch Only)
- Hood Mount



Cylinder Options

- 2-1/2" x 10" Single Acting
- 3" x 10" Single Acting
- 3" x 10" Single Acting Nitrated
- 4" x 10" Double Acting
- 4" x 10" Double Acting Nitrated

Heavy Equipment Mounts

- John Deere Scarifier
- ACS
- CAT IT Hooks
- Balderson Hooks



Other Options

- Cushion Valve
- Bumper Boxes
- Channel Bumpers

